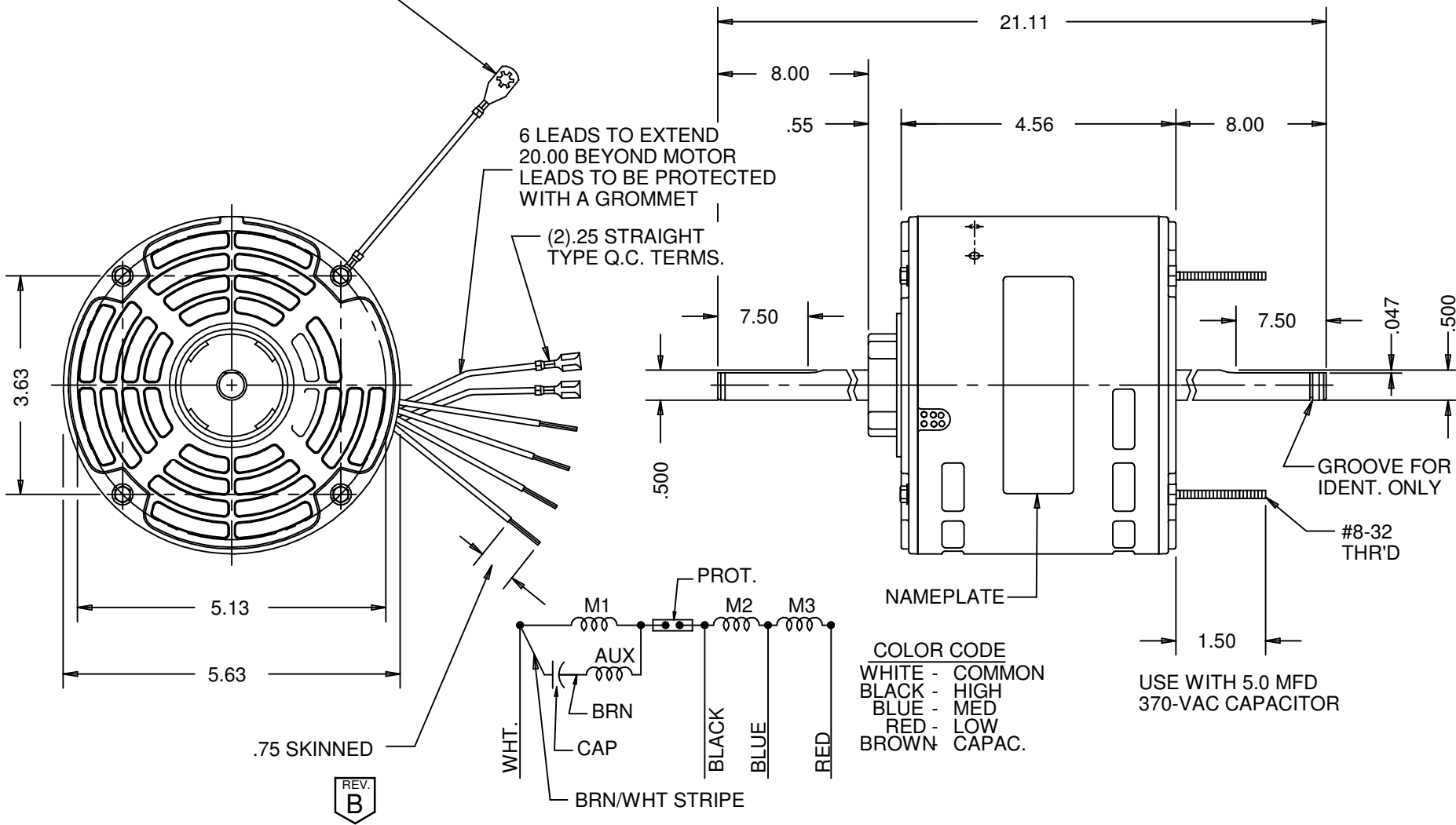


#16 GREEN GROUND LEAD TO BE  
6.00 BETWEEN CENTERS OF TERMS.  
TERM. TO FIT #10 SCREW



REV.  
B

NIDEC MOTOR CORPORATION 28-Nov-11

MODEL	REF	CUSTOMER	HP	VOLTS	AMPS	HZ	RPM	ROTATION	CUSTOMER PN
K55HXSPK-3135	--	STANDARD	1/3	230	2.5	60	1075/3SPD	CCW LEAD END	3135

SHEET NUMBER	REV	REVISION RECORD FOR: C4762-00
1 OF 1	B	DELETED NOTE
REVISION DATE		
28-NOV-11		

INFORMATION DISCLOSED ON THIS DOCUMENT IS CONSIDERED PROPRIETARY AND SHALL NOT BE REPRODUCED OR DISCLOSED WITHOUT WRITTEN CONSENT OF NIDEC MOTOR CORPORATION

**NIDEC MOTOR CORPORATION**

ISSUED BY	REVIEWED BY	ENGINEER APPROVED
B. ANDRADE	J. I. SALAZAR	J. I. SALAZAR

TITLE	CODE	ITEM NO.	SIZE
ASSEMBLED VIEW	V01	266185	A